



“Contribute to Make in India Program”

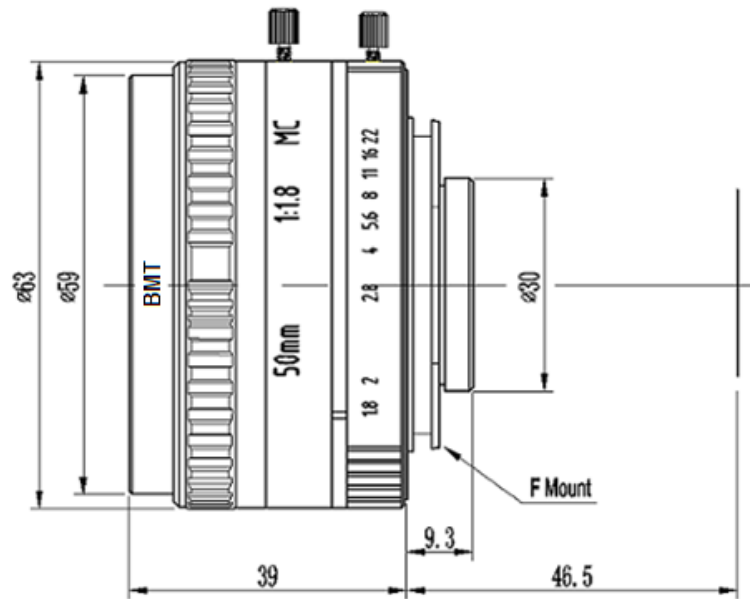


50 MM F-MOUNT MACHINE VISION LENS BMT-50F18MP



Key Highlights

- 50 MM high performance mega-pixel F-Mount camera lens
- Very Low distortion
- Iris & Focus locking screws
- 12 Month warranty
- Made of Metal



Model No		BMT-50F18MP
Resolution		5 MP
Focal Length		50 MM
Iris Range		F 1.8~F 22
Lens Mount		F-Mount
Imager Format		43 MM (FULL FRAME)
Field of View		D (46.0°) x H (39.1°) x V(26.5°)
Control	Focus	Manual
	Iris	Manual
Back Focal Length		37.3 MM
Minimum Object Distance (M.O.D)		0.4 M
Flange Back Length		46.5 MM
Distortion		<0.9 %
Filter Size		M52 P=0.75mm
Lens Structure		7 ELEMENTS, 6 GROUPS, (ALL GLASS)
Working Temperature (degree celcius)		-10~+50
Weight		~300 GM

India Business

BalaJi MicroTechnologies Pvt. Ltd (BMT)

(A Unit of B.B. Group of Companies)

Office: Unit No: 508, 5th Floor, DLF Prime Towers, Okhla Industrial Area, Okhla Phase - 1,
New Delhi - 110020, INDIA

Tel # +91-11-49068623

India: sales.india@balaji-microtechnologies.com

overseas: sales.overseas@balaji-microtechnologies.com

Website: <http://www.balaji-microtechnologies.com/>