



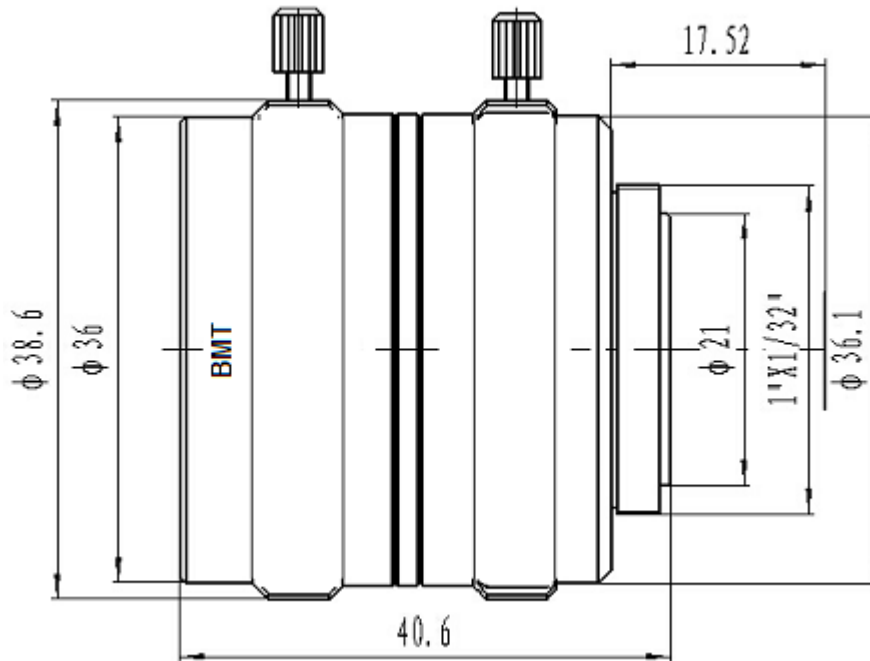
“Contribute to Make in India Program”



## 2/3" MEGA PIXEL CAMERA LENS BMT-18085MP

### Key Highlights

- 2/3" imager format High performance mega-pixel C-Mount camera lens
- Very Low distortion
- Highly compact
- Iris & Focus locking screws
- 12 Month warranty
- Made of Metal



<b>Model No</b>		<b>BMT-18085MP</b>
<b>Resolution</b>		<b>5 MP</b>
<b>Focal Length</b>		<b>8 MM</b>
<b>Iris Range</b>		<b>F# 1/1.8</b>
<b>Lens Mount</b>		<b>C-Mount</b>
<b>Imager Format</b>		<b>2/3"</b>
<b>Angle of View</b>		<b>D (68.6°) x H (54.9°) x V( 41.1°)</b>
<b>Control</b>	<b>Focus</b>	<b>Manual</b>
	<b>Iris</b>	<b>Manual</b>
<b>Back Focal Length</b>		<b>12.03 MM</b>
<b>Working Temperature (degree celcius)</b>		<b>-10~+50</b>
<b>Weight</b>		<b>98 gm</b>

### India Business

**BalaJi MicroTechnologies Pvt. Ltd (BMT)**

*(A Unit of B.B. Group of Companies)*

**Office:** Unit No: 508, 5th Floor, DLF Prime Towers, Okhla Industrial Area, Okhla Phase - 1,  
**New Delhi - 110020, INDIA**

**Tel # +91-11-49068623**

**India:** sales.india@balaji-microtechnologies.com

**overseas:** sales.overseas@balaji-microtechnologies.com

**Website:** <http://www.balaji-microtechnologies.com/>